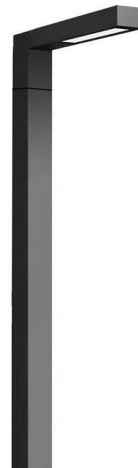




AT-1060



Product description

1 side - Supplied with specific square, straight aluminium pole - Height options: 6 m

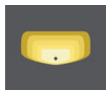
Luminaire Structure

- Die-cast aluminium housing
- Extruded aluminium column
- Pre-treated before powder coating ensuring high corrosion resistance
- Single cable entry

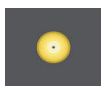
- Stainless steel fasteners in grade 304 with zinc flake coating (ZFC)
- Durable silicone rubber gasket
- High-efficiency polycarbonate lens

- Integral control gear
- Maximum wind load resistance is 100 km/h
- Surge protection 10kV

Optic



T2



T3

Product colour



Black

Dark Grey

White

Matt Silver

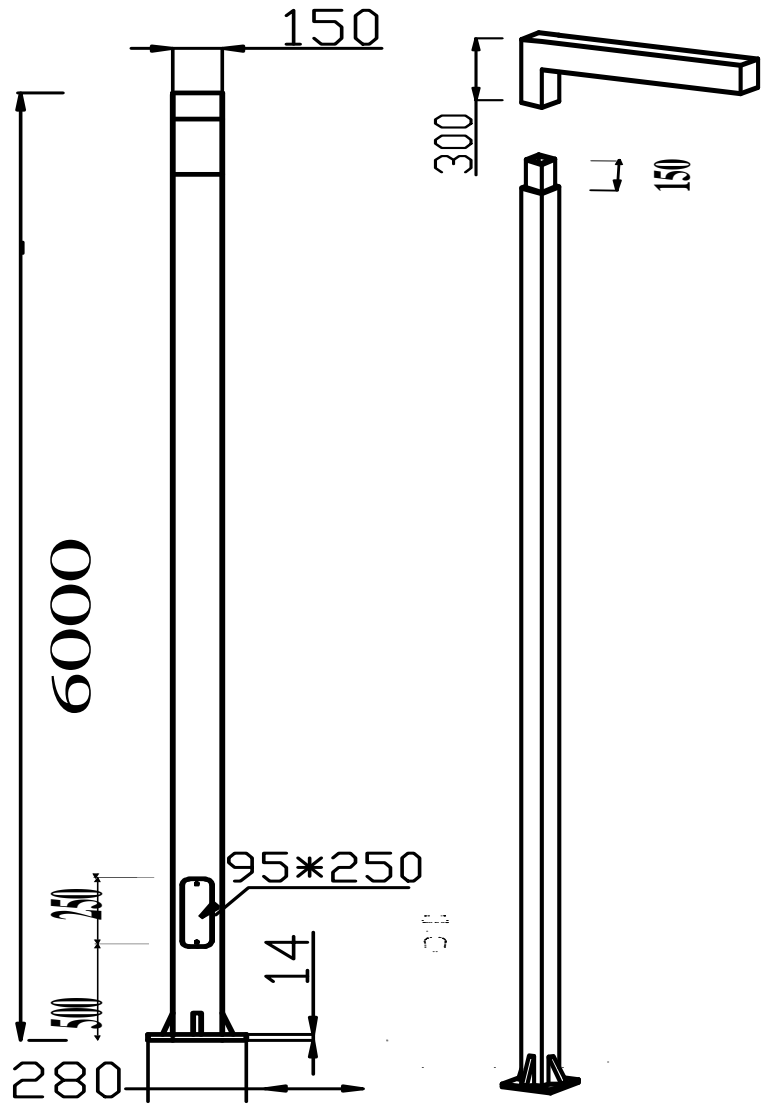
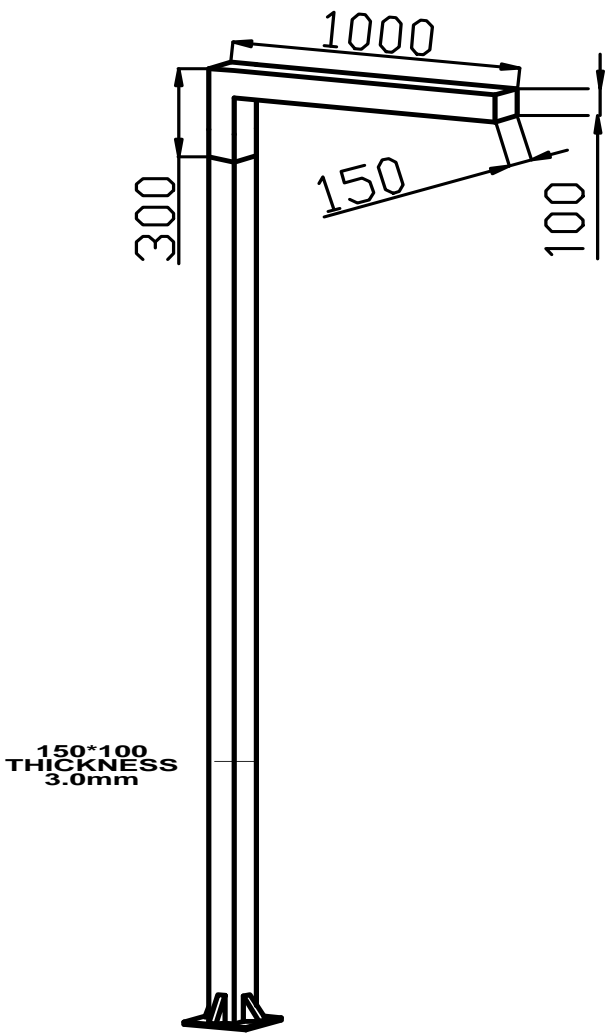
Technical information

| | |
|----------------------|-----------------------|
| Material | Aluminium 3.0mm |
| Light source | 64 LED*2 |
| Power | 2*40W |
| Lumen | 10000-11000 lm |
| Efficacy | 125 - 138 lm/W |
| Driver option | Integral control gear |
| Driver | Constant current (CC) |
| Input voltage | 110-277 V 50/60 Hz |
| Optic | T2/ T3 |

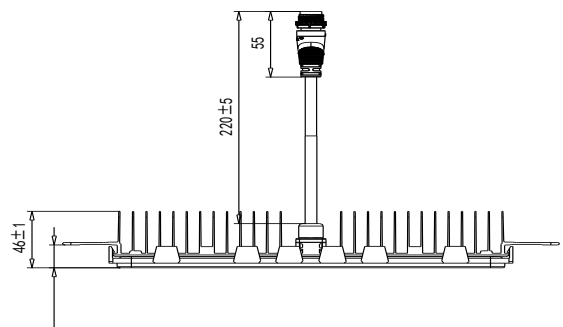
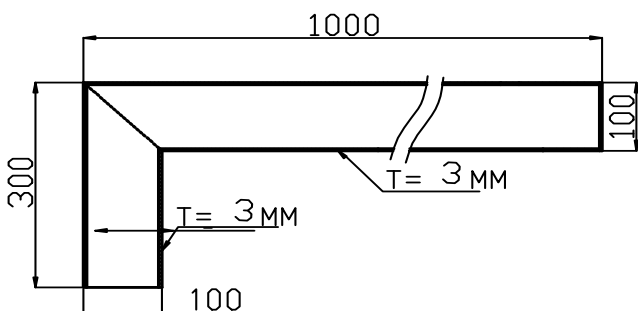
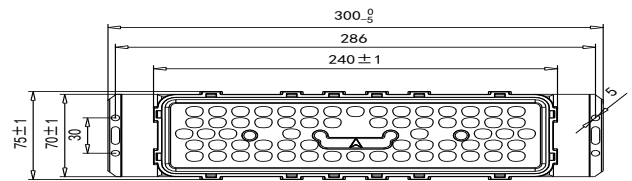
| | |
|--------------------------|--------------------------------------|
| Optic value | 120°, 140°x70° |
| CCT / CRI | 3000K CRI80, 4000K CRI80 |
| Bug | B1-U0-G1, B2-U0-G2 |
| ULR | 0% |
| ULOR | 0% |
| CIE flux code n°3 | 97, 98 |
| Dimming type | On/Off, DALI |
| Product colours | Black, Dark Grey, White, Matt Silver |

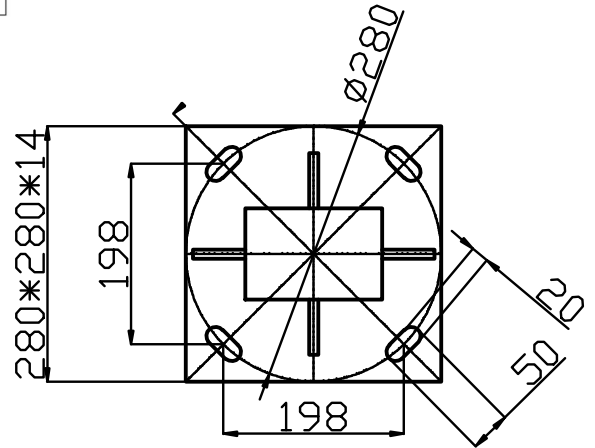
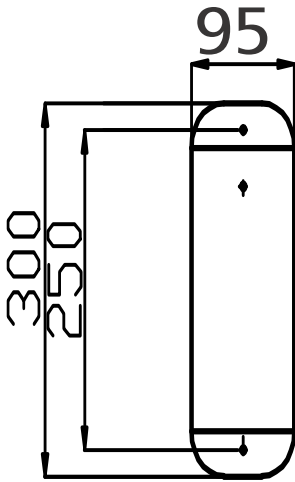
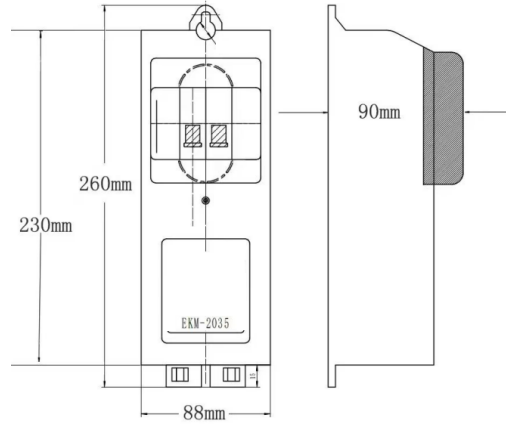
Weight 35-42 kg

| | |
|---------------------------------|------------------------------------|
| Operating temperature | -20 °C to 50 °C |
| EPA (m2) | 0.016 |
| Through wiring | Single cable entry |
| Lens / Reflector / Optic | High-efficiency polycarbonate lens |
| MacAdam Ellipse | 3 SDCM |
| Led chip | Luxeon 3030 |
| Driver | Inventronics |



LED





BASE PLATE(14mm THICK.)

